



**PERFORMANCE DATA SHEET  
NEMA PREMIUM NR CAN NEMA 12 - 12**

Catalogue #: MQP-79

| HP  | kW    | Voltage | S.F. @ 60Hz | EFF.  | P.F. | Frame | Design | L.R. Amps |
|-----|-------|---------|-------------|-------|------|-------|--------|-----------|
| 100 | 74,60 | 230/460 | 1,15        | 93,6% | 0,79 | 445T  | B      | 725       |

| 60 Hz |     |     |        |     |     |     |  | Code | F.L. RPM |
|-------|-----|-----|--------|-----|-----|-----|--|------|----------|
| 208   | 230 | 416 | 460    | 480 | 575 | 600 |  |      |          |
| /     | 252 | /   | 126,00 | /   | /   |     |  | G    | 890      |

| 50 Hz |     |     |             |            |              |      |          |  |
|-------|-----|-----|-------------|------------|--------------|------|----------|--|
| FLA   |     |     | S.F. @ 50Hz | Efficiency | Power Factor | Code | F.L. RPM |  |
| 190   | 380 | 415 |             |            |              |      |          |  |
| 300,0 | 150 |     | 1,00        | 92,4%      | 0,810        | F    | 735      |  |

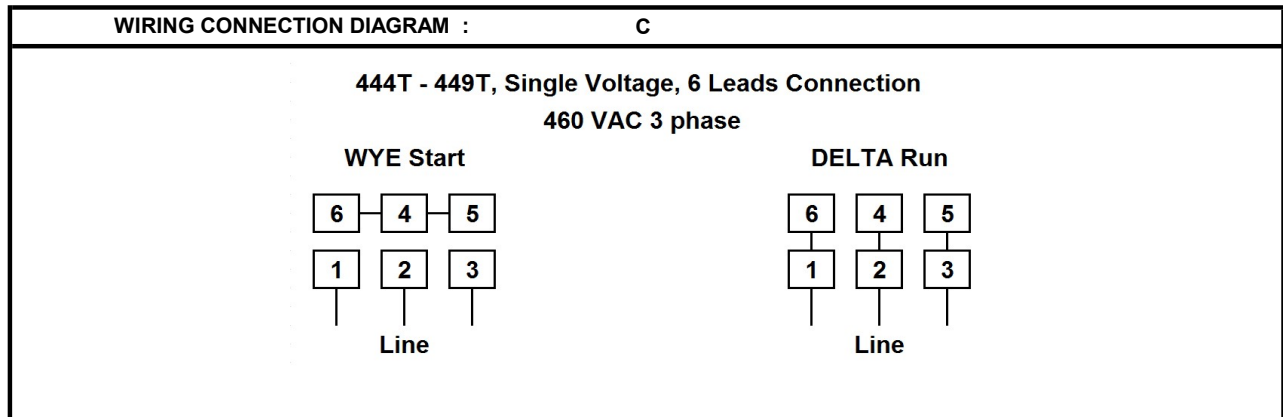
| Wgt. Lbs | PH | Duty  | Insul. Class | Amb. | Elevation        | Temp. Rise° C |
|----------|----|-------|--------------|------|------------------|---------------|
| 1373     | 3  | Cont. | F            | 40°C | 1000M (3,300 Ft) | < 80          |

| % Efficiency |       | % Power Factor |      | Torque           |       | Winding Resist. Ω | Safe Cold Start (Secs) |
|--------------|-------|----------------|------|------------------|-------|-------------------|------------------------|
| Full Load:   | 93,6% | Full Load:     | 0,79 | Full Load Ft/Lbs | 590,1 |                   |                        |
| 3/4 Load:    | 93,6% | 3/4 Load:      | 0,74 | Locked Rotor %   | 200   |                   |                        |
| 1/2 Load:    | 93,0% | 1/2 Load:      | 0,63 | Break Down %     | 230   |                   |                        |

| Rotor Inertia Wk2 Lb-Ft2 | Max Load Inertia Wk2 Lb-Ft2 | Shaft Material | Frame Material | DE Bracket Type | ODE Bracket Type | Enclosure | NEMA Rating | Lead Wire Size |
|--------------------------|-----------------------------|----------------|----------------|-----------------|------------------|-----------|-------------|----------------|
| 94,92                    | 1900                        | 1045           | Cast Iron      | Cast Iron       | Cast Iron        | TEFC      | IP55        | 5AWG           |

| Ball Bearings |      | Grease          | Mount Type | Orientation | Paint   | Sound Pressure @ 3FT | Sound Power |
|---------------|------|-----------------|------------|-------------|---------|----------------------|-------------|
| DE            | ODE  |                 |            |             |         |                      |             |
| NU319         | 6318 | Mobil PolyrexEm | Rigid      | Horizontal  | RAL6022 | 78                   | 84          |

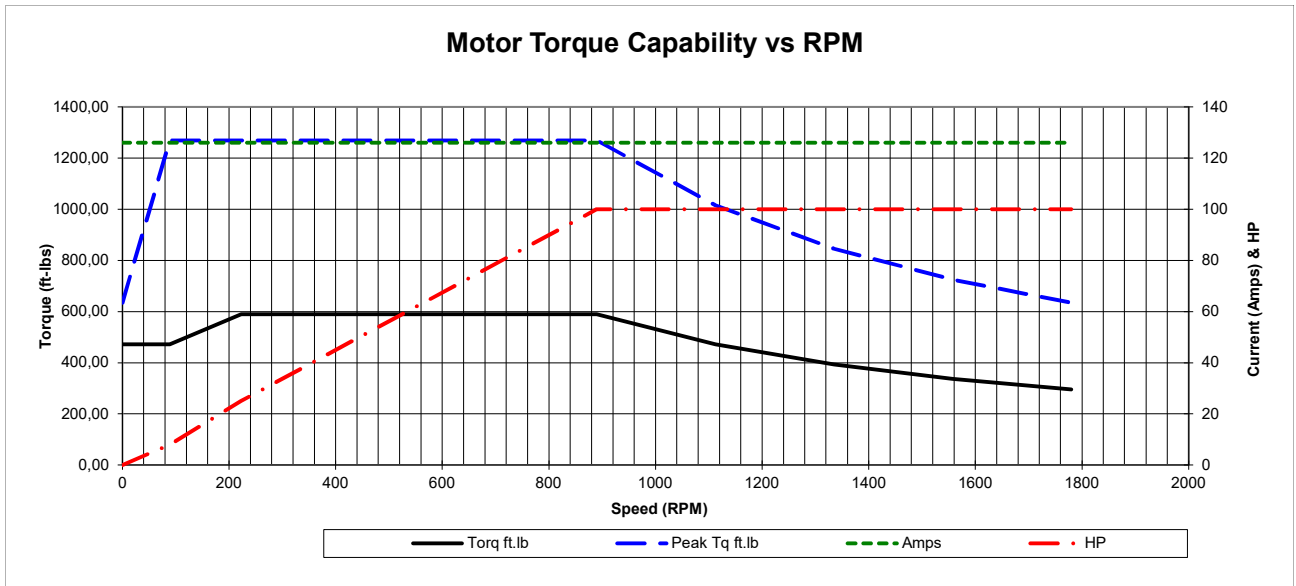
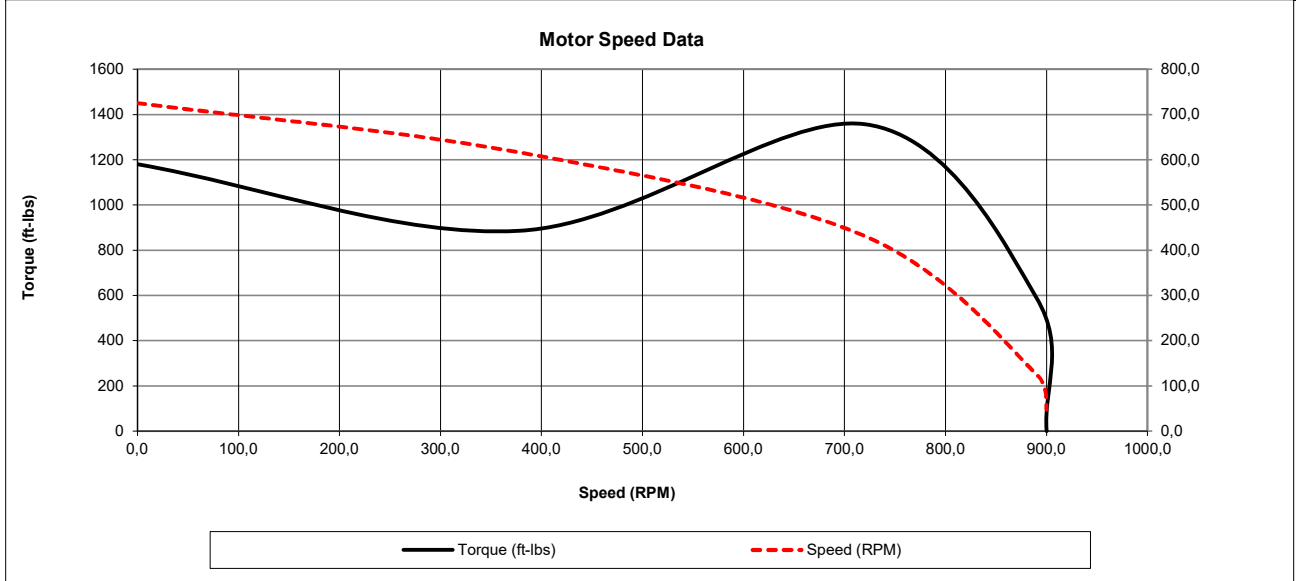
| Inverter Duty, Motor meets MG1 parts 31.4.4.2 | VFD SF | Constant Torque Range | Variable Torque Range | Constant HP RPM |
|---|--------|-----------------------|-----------------------|-----------------|
|   | 1,00   | 10:1                  | 20:1                  | 1350            |



Date: 2023-12-13  
 Customer: \_\_\_\_\_  
 Contact: \_\_\_\_\_  
 Submittee: J.C. Lavallée

Catalogue #: MQP-79

| NEMA PREMIUM NR CAN NEMA 12 - 12 |              |         |           |            |           |                                      |         |                |                  |               |
|----------------------------------|--------------|---------|-----------|------------|-----------|--------------------------------------|---------|----------------|------------------|---------------|
| HP                               | VAC          | RPM     | Enclosure | Frame      | Frequency | Design                               | Poles   | LR Code Letter | Insulation Class | Temp. Rise °C |
| 100                              | 460          | 890     | TEFC      | 445T       | 60 Hz     | B                                    | 8       | G              | F                | < 80          |
|                                  | 0Hz          | 6Hz     | 15Hz      | 30Hz       | 45Hz      | 60 Hz                                | 75Hz    | 90Hz           | 105Hz            | 120Hz         |
| Amps                             | 126          | 126     | 126       | 126        | 126       | 126                                  | 126     | 126            | 126              | 126           |
| RPM                              | 0            | 89      | 222,5     | 445        | 667,5     | 890                                  | 1112,5  | 1335           | 1557,5           | 1780          |
| Torq ft.lb                       | 472,09       | 472,09  | 590,11    | 590,11     | 590,11    | 590,11                               | 472,09  | 393,41         | 337,21           | 295,06        |
| Peak Tq ft.lb                    | 634,37       | 1268,74 | 1268,74   | 1268,74    | 1268,74   | 1268,74                              | 1014,99 | 845,83         | 725,00           | 634,37        |
| HP                               | 0            | 8,0     | 25,0      | 50,0       | 75,0      | 100,0                                | 100,0   | 100,0          | 100,0            | 100,0         |
|                                  | Locked Rotor | Pull-Up | Breakdown | Rated Load | Idle      | Duty                                 | S. F.   | Ambient        | Elevation        | dBA @ 1M      |
| Speed (RPM)                      | 0,0          | 378     | 720       | 890        | 900       | Continuous                           | 1,15    | 40°C           | 3,300 ft         | 78            |
| Current (Amps)                   | 725,0        | 616,3   | 431,4     | 126,0      | 47,9      | VFD Rating: Meets MG1 parts 31.4.4.2 |         |                |                  |               |
| Torque (ft.-lbs)                 | 1180,2       | 885,2   | 1357,3    | 590,1      | 0,0       | C.T.                                 | 10:1    | V.T.           | 20:1             | VFD SF 1.00   |





Date: 2023-12-13  
 Customer: \_\_\_\_\_  
 Contact: \_\_\_\_\_  
 Submittee: J.C. Lavallée

Catalogue #: **MQP-79**

| NEMA PREMIUM NR CAN NEMA 12 - 12 |              |         |           |            |           |                                      |        |                |                  |               |
|----------------------------------|--------------|---------|-----------|------------|-----------|--------------------------------------|--------|----------------|------------------|---------------|
| HP                               | VAC          | RPM     | Enclosure | Frame      | Frequency | Design                               | Poles  | LR Code Letter | Insulation Class | Temp. Rise °C |
| 100                              | 460          | 890     | TEFC      | 445T       | 60 Hz     | B                                    | 8      | G              | F                | < 80          |
| Load %                           | 0%           | 25%     | 50%       | 75%        | 100%      | 125%                                 | 150%   |                |                  |               |
| Amps                             | 47,88        | 45,36   | 74,59     | 98,41      | 126,00    | 159,22                               | 195,69 |                |                  |               |
| Torq ft/lbs                      | 0            | 146,30  | 293,41    | 441,34     | 590,11    | 739,72                               | 890,17 |                |                  |               |
| RPM                              | 0            | 897,5   | 895       | 892,5      | 890       | 887,5                                | 885    |                |                  |               |
| Eff                              | 0            | 90,54   | 93,00     | 93,60      | 93,60     | 92,13                                | 91,77  |                |                  |               |
| PF                               | 0            | 57      | 63        | 74         | 79        | 79,79                                | 78,21  |                |                  |               |
|                                  | Locked Rotor | Pull-Up | Breakdown | Rated Load | Idle      | Duty                                 | S. F.  | Ambient        | Elevation        | dBa @ 1M      |
| Speed (RPM)                      | 0            | 378     | 720       | 890        | 900       | Continuous                           | 1,15   | 40°C           | 3,300 ft         | 78            |
| Current (Amps)                   | 725          | 616,3   | 431,4     | 126        | 47,88     | VFD Rating: Meets MG1 parts 31.4.4.2 |        |                |                  |               |
| Torque (ft-lbs)                  | 1180,22      | 885,17  | 1357,26   | 590,11     | 0,0       | C.T.                                 | 10:1   | V.T.           | 20:1             | VFD SF 1.00   |

